

1. The following table shows the description of perfume.

No	Description	
(1)	Mass	150 g
(2)	Odour	smell good
(3)	Colour	blue
(4)	Volume	100 cm ³

Which one shows "physical quantities"?

- a. (1) and (4)
- b. (1) and (3)
- c. (2) and (3)
- d. (2) and (4)

2. A student observes a horse. The following table shows its data.

No	Data	
1	Length	278 cm
2	Mass	250 kg
3	Height	1.50 m
4	Colour	Black

Based on the data above, which physical characteristic is non physical quantity?

- a. length.
- b. mass.
- c. height.
- d. colour.

3. Ratu has the following shopping list.

☀ ☀ ☀ ☀ ☀ ☀ ☀

Shopping List:

• Tomatoes 1 kg

• Vinegar 100 ml

• Seasoning 5 packs

• Spinach 1 bunch

Which shows base (fundamental) quantity?

- a. Mass of tomatoes.
- b. Bunch of spinach.
- c. Volume of vinegar.
- d. Pack of seasoning.

4. Look at the following table.

No	Quantity	Unit
(1)	Length	fathom
(2)	Time	second
(3)	Volume	gallon
(4)	Height	metre

Which one shows "standard units" ?

- a. (1) and (4).
- b. (1) and (3).
- c. (2) and (3).
- d. (2) and (4).

5. Look at the table below.

The correct base (fundamental) quantity and its unit in SI is....

No	Quantity	Unit
a	Length	kilometre
b	Mass	ounce
c	Time	second
d	Temperature	celcius

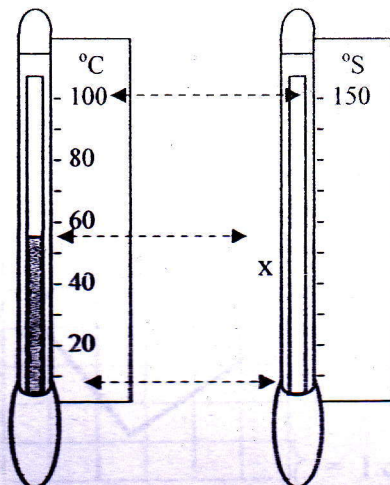
6. The correct conversion is

- a. 21 kilometres = 2,100 centimetres
- b. 25,800 grams = 2.58 kilograms
- c. 360 hours = 3600 seconds
- d. 2,900 metres = 2.9 kilometres

7. The temperature of the water is 25 °C. What is the temperature in Fahrenheit scale?

- a. 45 °F.
- b. 57 °F.
- c. 65 °F.
- d. 77 °F.

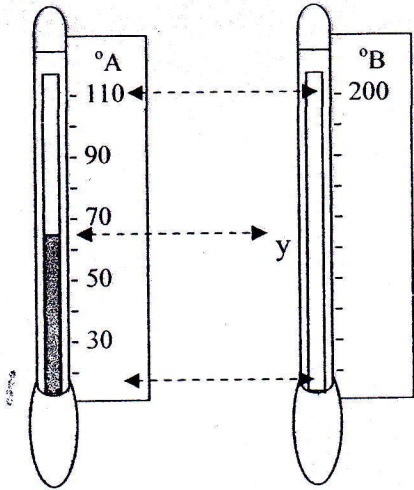
8. Refer to the following figure.



A group of students measure the temperature of an object using a thermometer with Celcius scale (°C) and Student scale (°S). The result of the measurement is shown in the figure on the left. What is x according to "S" scale?

- a. 35 °S.
- b. 50 °S.
- c. 60 °S.
- d. 100°S.

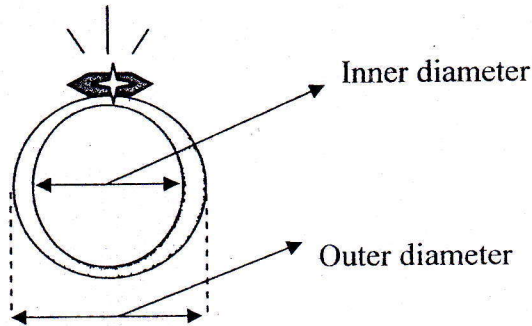
9.



Two students measure the temperature of liquid. The first student uses a thermometer with "A" scale ($^{\circ}\text{A}$) and the other with B scale ($^{\circ}\text{B}$). Look at the figure on the left. What is y according to "B" scale?

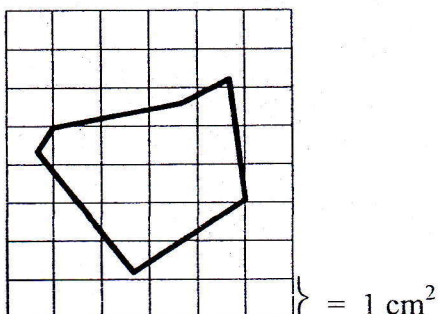
- a. 125°B .
- b. 100°B .
- c. 90°B .
- d. 60°B .

10. Look at the figure of a diamond ring below.



To measure the inner diameter of ring, we use a...

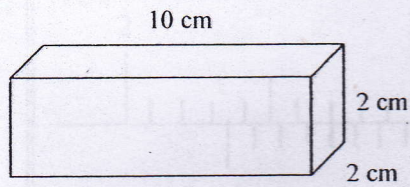
- a. vernier caliper
 - b. micrometer
 - c. ruler
 - d. dynamometer
11. We can measure the outer diameter of ring with a caliper, ruler, roll meter, and micrometer. Which one is the most accurate tool?
- a. Caliper.
 - b. Micrometer.
 - c. Ruler.
 - d. Roll meter.
12. Look at the figure below.



What is the area of the shape?

- a. 12 cm^2 .
- b. 16 cm^2 .
- c. 20 cm^2 .
- d. 24 cm^2 .

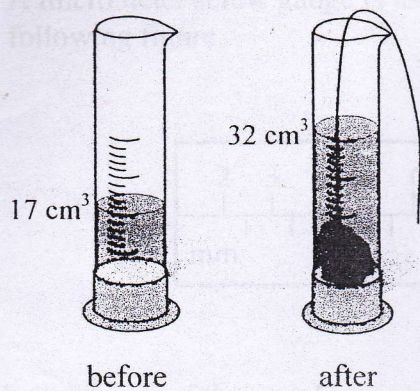
13. Look at the figure below.



The volume of the cuboid is...

- a. 2.5 cm^3
- b. 4.0 cm^3
- c. 20.0 cm^3
- d. 40.0 cm^3

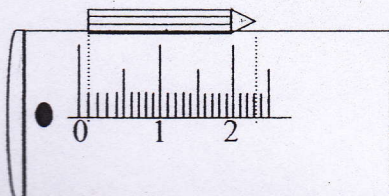
14. The figure below shows the level of water in a measuring cylinder before and after a stone is put into the cylinder.



The volume of the stone is

- a. 10 cm^3
- b. 15 cm^3
- c. 20 cm^3
- d. 30 cm^3

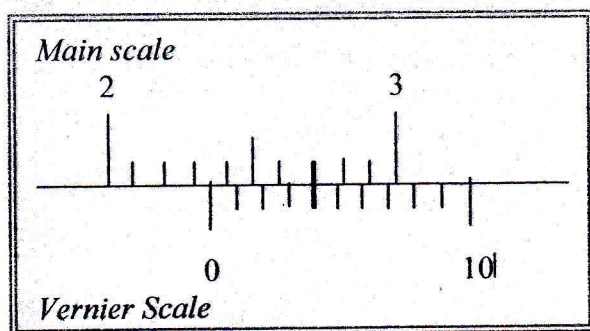
15. A ruler is used to measure the length of a pencil.



What is the length of the pencil?

- a. 2.2 cm.
- b. 2.3 cm.
- c. 1.3 cm.
- d. 1.2 cm.

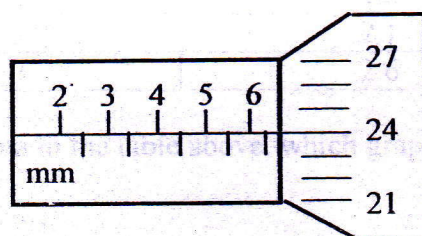
16. A caliper is used to measure the length of an object. Look at the figure below.



The length of the object is... .

- a. 2.54 cm
- b. 2.34 cm
- c. 2.54 mm
- d. 2.34 mm

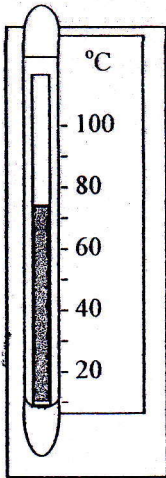
17. A micrometer screw gauge is used to measure the thickness of metal as shown in the following figure.



The thickness of the metal is

- a. 6.24 mm
- b. 6.50 mm
- c. 6.74 mm
- d. 6.84 mm

18. Read the measurement of temperature below. The temperature of the object is ...



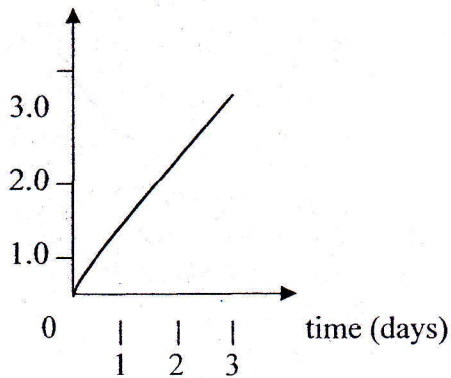
- a. 80 °C
- b. 70 °C
- c. 65 °C
- d. 60 °C

19. A group of students investigated the growth of seedlings. They measured the height of the seedlings for 3 days.

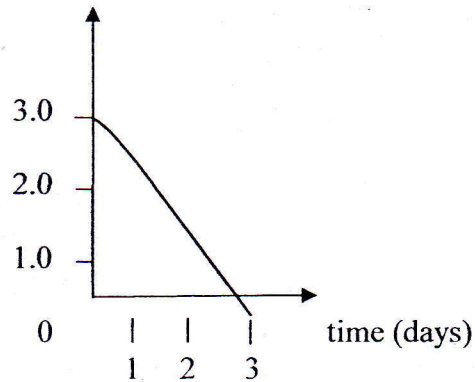
Time (days)	Height (cm)
0	0
1	1.0
2	2.1
3	2.6

Using the data in the table above, which graph is correct?

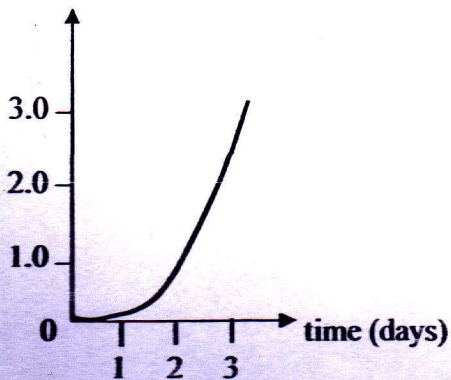
a. height (cm)



c. height (cm)



b. height (cm)



d. height (cm)

